

Cabinet & Furniture Hardware



PRODUCT RELEASE – “C”

Issue: 011
Date: 23rd of January 2010

Catalogue Section: Concealed Hinge & Plate
Product Manager: Keiran Lowden

Subject: New Salice Smove Components

Salice have expanded their popular Smove range of door dampening hardware to include a range of Smoveholders combined with height adaptors which are easily fitted to cabinet hinges with no additional drilling required. In addition, closing force can be easily regulated to allow for the same dampening effect over a range of doors of different sizes and weights. Salice recommend the use of only 1 Smove per standard door in addition to a standard Salice hinge.



Technical Information

The current range comprises 5 products, 2 Smoveholders and 3 height adaptors as detailed below:



Smoveholder

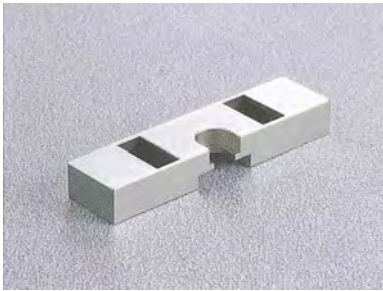
The Smoveholder incorporates the Smove piston inside a diecast body. Dampening is achieved when the Smove piston comes into contact with the hinge cup flange through the closing process. Closing force of the door can be regulated via the adjusting screw located at the rear of the Smoveholder. The Smoveholder is available in 2 versions

098061 for doors with 2 hinges

098062 for doors with 2+ hinges

Smove Adapter

The Smove adapter provides a base on which the Smoveholder is attached. It is



suitable **only** for use with 37mm x 32mm steel cruciform mounting plates. There are 3 adapters available with use dependent on the hinge crank.

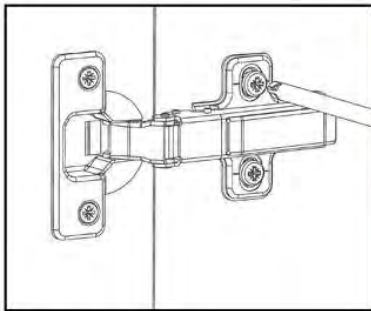
098063 for use on 0 crank hinges with steel cruciform mounting plates

098064 for use on 9 crank hinges with steel cruciform mounting plates

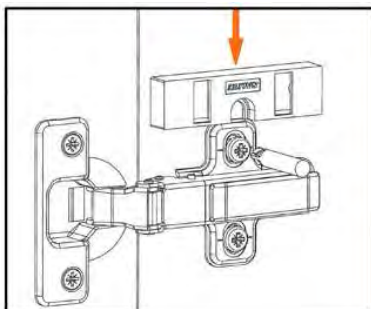
098065 for use on 17 crank hinges with steel cruciform mounting plates.

Assembly

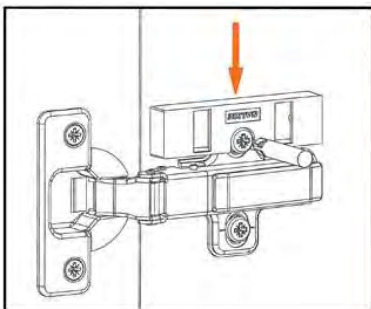
Assembly of the new Smove is quick and easy, requiring no specific drilling of panels. It can also be easily retrofitted to existing Salice hinges.



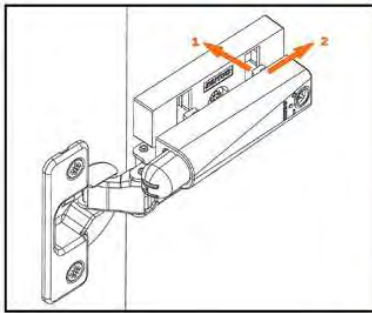
Step 1) Loosen off one of the 2 fixing screws on the mounting plate.



Step 2) Fit adapter onto hinge by sliding it under the raised mounting plate screw.



Step 3) Retighten fixing screw on mounting plate securing adapter.

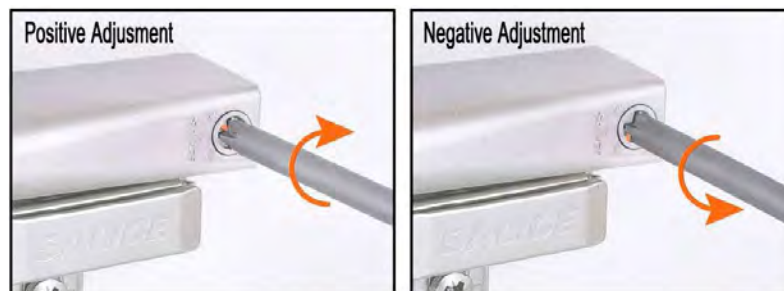


Step 4) Mount
 Smoveholder to adapter
 by inserting hooks under
 smoveholder in
 elongated slots on
 adapter then slide
 backwards.

NB: The above images shows the new Smove used on a mounting plate with pre-mounted euro screws. The new Smove can be used with screw fix mounting plates - in the instance it is recommended that the screw head is Ø8mm and the length is 16mm.

Adjustment

The Smoveholder can be easily adjusted to increase or decrease the deceleration of the door. Adjustment is achieved by acting on the adjustment screw at the back of the Smoveholder.



Positive Adjustment – Rotating the screw clockwise (towards + sign), thus moving the smove forward increases the decelerating effect.

Negative Adjustment – Rotating the screw anti-clockwise (towards – sign), thus moving the smove backward reduces the decelerating effect.